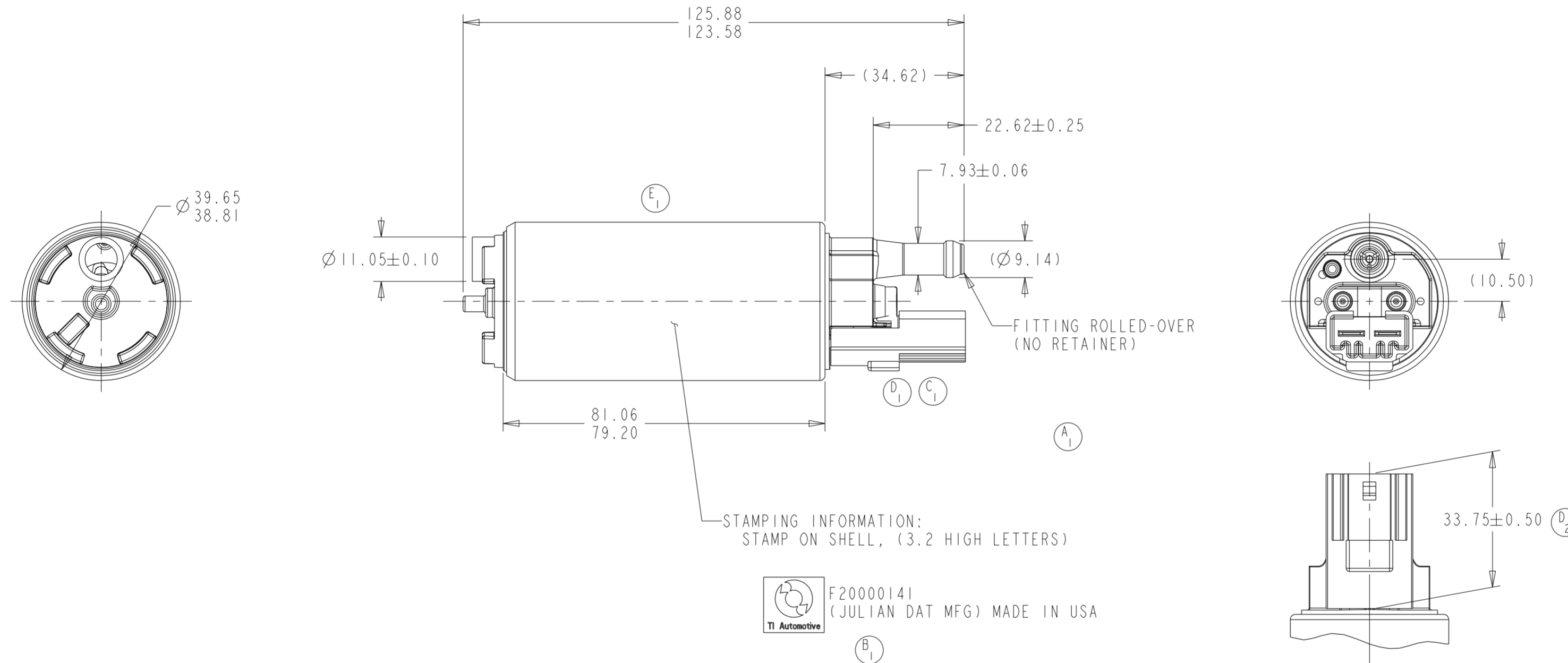


REVISIONS						
ZONE	LTR	DESCRIPTION	CHANGE No	DATE	BY	APPR'D
		REL FOR PROD	68345	07NOV02	RMB	MMcK
4-D	A	A1 Ø 33.84 WAS Ø 33.94	68529	10MAR03	RMB	BLU
5-C	B	B1 REMOVED PATENT #'S	71352	11JUN08	DRG	BLM
4-D	C	C1 UPDATED OUTLET COVER, RFI & PRESSURE RELIEF	DR74657	07MAR19	SLK	TLH
5-D 2-C	D	D1 UPDATED RFI D2 33.75±0.50 WAS 34.75±0.75	82070	24AUG20	SLK	TLH
5-E	E	E1 DBTC0031 MAGNETS WERE 184-31	C3'3985	02MAY23	JTK	MLM



NOTES:

- ELECTRICAL TERMINALS SHOULD BE CONNECTED TO 250 FASTEN TERMINAL (FEMALE) INSULATOR PORTION CAN BE CONNECTED TO: SUMITOMO ELECTRIC INDUSTRIES PART NO. 6098-0731, 6914-0019 OR AMP CONNECTOR PART NO. C-346027-1
- PUMPS SHALL BE SUITABLY PACKAGED TO PREVENT CONTAMINATION WITH FOREIGN MATERIAL.

KEY PRODUCT CHARACTERISTICS			
REFER TO TI AUTOMOTIVE GLOBAL ADVANCED QUALITY PLANNING DOCUMENT CW-4-ALL-411 FOR THE CLASSIFICATION AND CONTROL OF KEY PRODUCT CHARACTERISTICS			
TYPE OF CHARACTERISTIC	SAFETY	REGULATORY	FUNCTION / FUNCTION PROCESS
NUMBER PER EACH CHARACTERISTIC	SC	SC	SC
TOTAL NUMBER OF CHARACTERISTICS	1	1	1

TI AUTOMOTIVE CONFIDENTIAL AND PROPRIETARY - THIS DRAWING IS PROPERTY OF TI AUTOMOTIVE. TI AUTOMOTIVE CLAIMS PROPRIETARY RIGHTS IN THE SUBJECT MATTER SHOWN AND DESCRIBED ON THIS DRAWING AND RETAINS ALL INTELLECTUAL PROPERTY RIGHTS. THE DRAWING IS PROVIDED FOR REFERENCE PURPOSES ONLY AND ON THE EXPRESS CONDITION THAT IT WILL BE HELD IN CONFIDENCE. THIS DRAWING SHALL NOT BE DISCLOSED TO OTHERS OR USED FOR THE PURPOSE OF MANUFACTURE BY OR PROCUREMENT FROM OTHERS OF THE ARTICLE OR PART SHOWN WITHOUT TI AUTOMOTIVE'S EXPRESS WRITTEN CONSENT. NO LICENSE OR OTHER RIGHT IS GIVEN OR IMPLIED BY THE PROVISION OF THIS DRAWING TO RECIPIENT. COPYRIGHT, TI AUTOMOTIVE 2018. ALL RIGHTS RESERVED.

METRIC
ALL DIMENSIONS ARE IN MILLIMETERS

DO NOT SCALE
DECIMAL TOLERANCES UNLESS OTHERWISE SPECIFIED
ONE PLACE ±0.25 TWO PLACE ±0.13 ANGLES ±1°

THIRD ANGLE PROJECTION
DIMENSIONS IN ACCORDANCE WITH ASME Y14.5 - 2009

TI Automotive
630 COLUMBIA ST.
CARO, MI 48723
+1 989.673.7727

ENGINEER:	MMcK	07NOV2002	MATERIAL/SPECIFICATION:
DESIGNER:	DRG	07NOV2002	
CAD SYSTEM: PRO/E	SCALE: 1:1	SHEET NO. 1 OF 1	
REFERENCE ID/REV.:	HJPT2141	2D PLM REFERENCE/REV.: AR0005945/AF	
REFERENCE ID/REV.:	000127348/AD	3D PLM REFERENCE/REV.: AR0057975/AD	
DRAWING NAME: FUEL PUMP OUTLINE			
SIZE:	A2	DRAWING NUMBER: F20000141	